

Attention

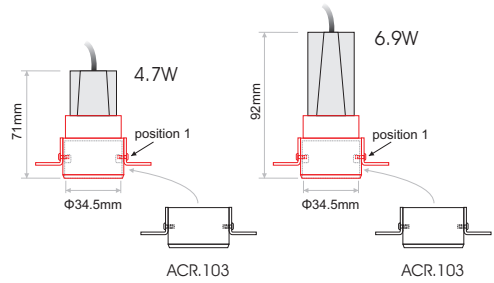
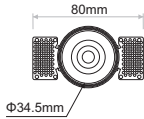
Before any maintenance switch off the main power.

2 Cutting Hole

LIMIT TR 4.7W & 6.9W
IP20/IP44



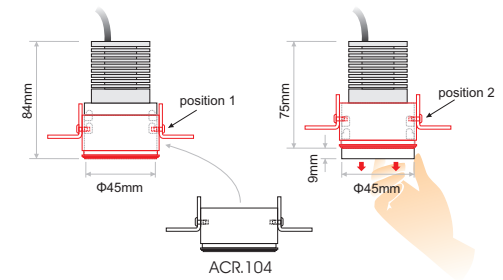
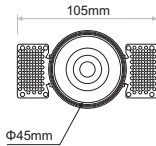
4.7W & 6.9W



LIMIT TR 6.4W
IP20/IP44



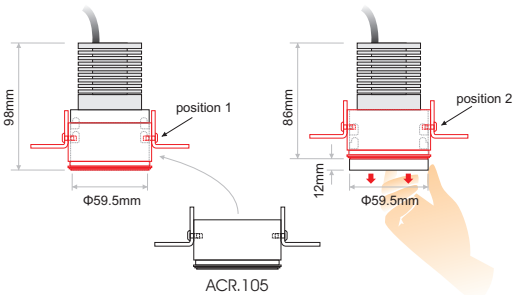
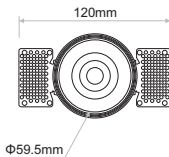
6.4W



LIMIT TR 8.8W
IP20/IP44



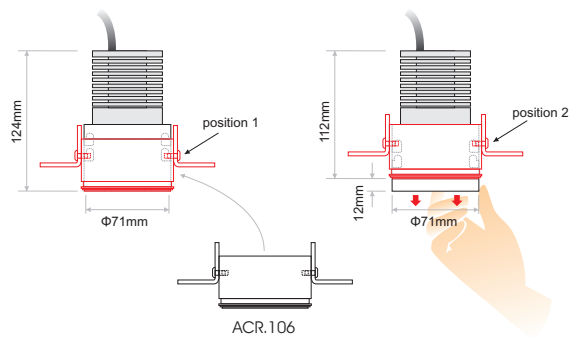
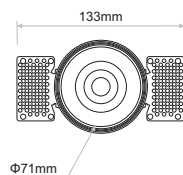
8.8W



LIMIT TR 12.8W & 17W
IP20/IP44



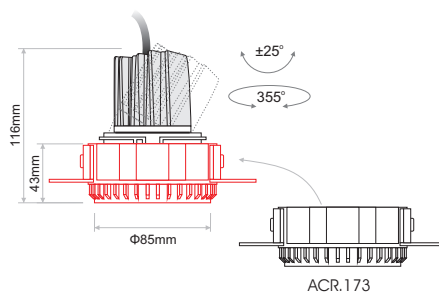
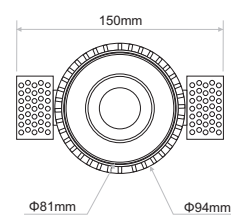
12.8W & 17W



LIMIT TR 8.7W & 12.6W
Adjustable IP44

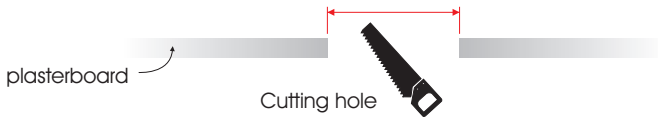


8.7W & 12.6W

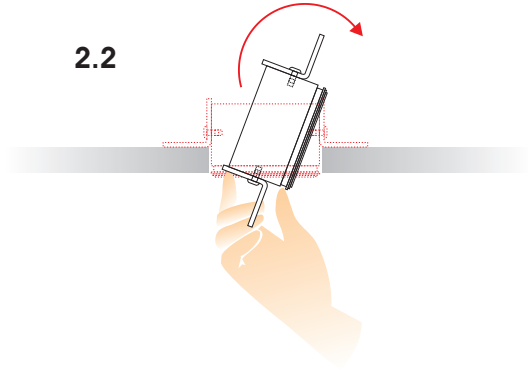


- Φ45mm (LIMIT TR20/44 4.7W & 6.9W)
- Φ55mm (LIMIT TR20/44 6.4W)
- Φ70mm (LIMIT TR20/44 8.8W)
- Φ80mm (LIMIT TR20/44 12.8W & 17W)
- Φ97mm (LIMIT TR44 8.7W & 12.6W ADJUSTABLE)

2.1

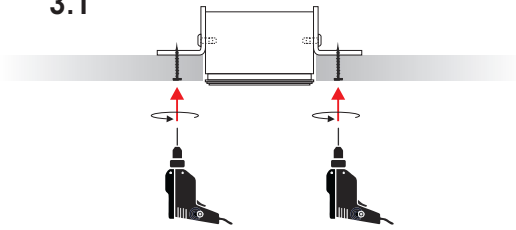


2.2

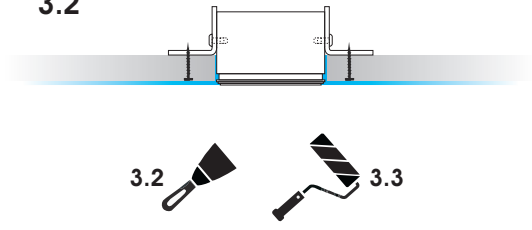


3

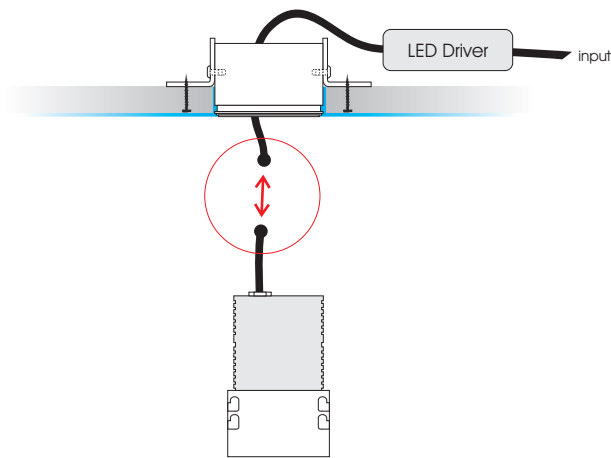
3.1



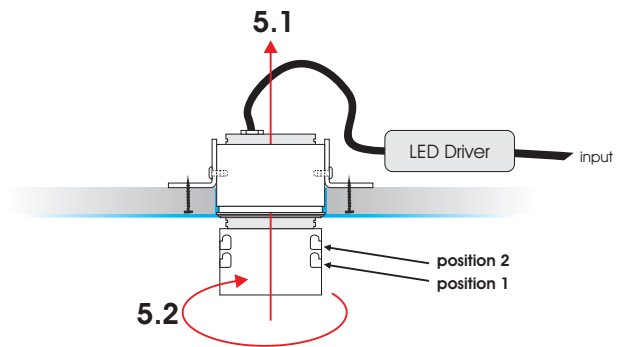
3.2



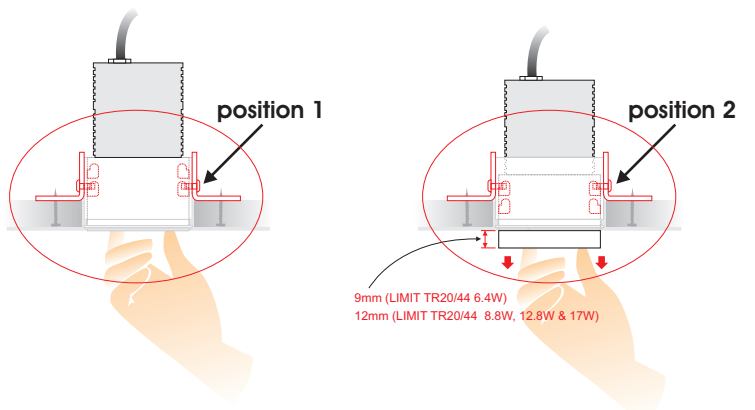
4



5



- 5.1 Insert the fixture through the installed base.
- 5.2 Turn it clockwise to lock it in the desired position (1 or 2).



- 9mm (LIMIT TR20/44 6.4W)
- 12mm (LIMIT TR20/44 8.8W, 12.8W & 17W)

5

